

BROCART
DAY STORAGE UNITS


**JUMBO
COLLECTION**
A LUXURY EXPERIENCE



BROCART DAY STORAGE UNITS

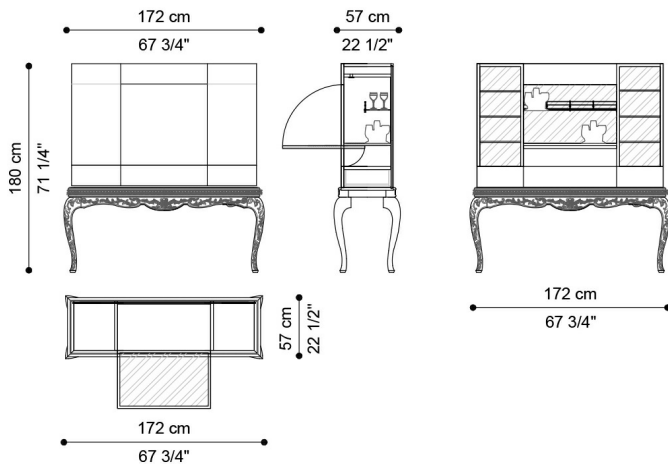
DESCRIPTION

Bar cabinet with base in wood, hand-carved legs and decorative frame finished in patinated antique gold. Structure in black lacquered wood with gold leaf laser engraved oriental decoration JG302. Two doors and three drawers with inner cover in microfibre MIL. 21.13A. Central door and internal compartments with glass shelves and brass railing for glasses and bottles. Back covered in antique mirror.

DIMENSIONS

BAR CABINET

J.BRC-133



L 172 D 57 H 180 CM