

SUPREME
ENTRANCE TABLES


JUMBO
COLLECTION
A LUXURY EXPERIENCE



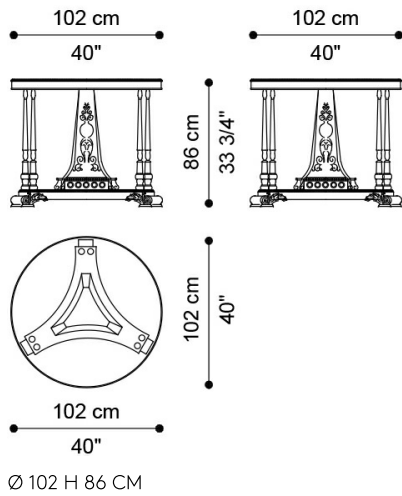
SUPREME ENTRANCE TABLES

DESCRIPTION

Entrance table with structure in mahogany with decorative elements in lost-wax cast brass.
Top in green Pakistan onyx (J.SUP-47) or in white Namibia Rhino marble (J.SUP-47B).

DIMENSIONS

ENTRANCE TABLE J.SUP-47



ENTRANCE TABLE J.SUP-47B

